

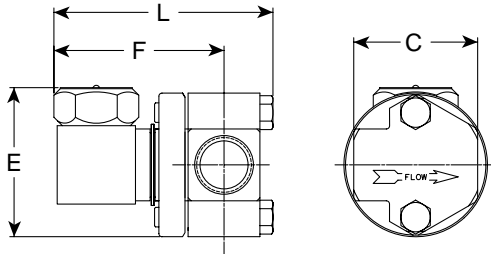
CD-3300 Series Disc Steam Traps

All Stainless With 360° Connector

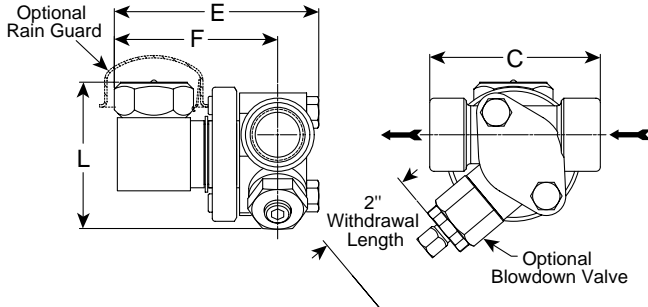
For Steam Pressures to 450 psig (31 bar)...Capacities to 800 lb/hr (363 kg/hr)



Steam Trapping and
Steam Tracing Equipment



CD-3300 With Standard Connector



CD-3300 With IS-2 Connector With Integral Strainer

The Armstrong CD-3300 is a three discharge port design, which provides stable disc operation to extend operating life.

The CD-3300 is piped in-line by a 360° universal connector, which allows you to install the trap in virtually any piping configuration. Armstrong's unique standard connector or its IS-2 connector with integral strainer makes the CD-3300 easy to install, easy to renew. You save on labor time and cost because the connector simplifies piping and remains in-line.

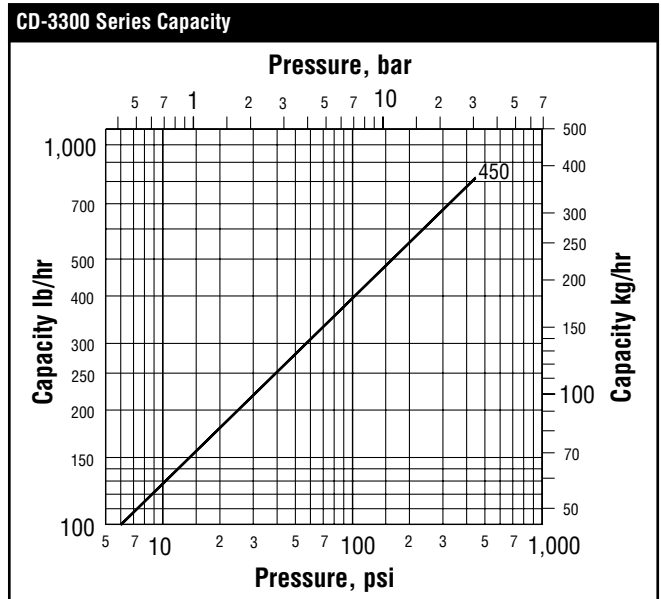
Materials

Trap cap:	ASTM A743 CA40
Trap disc:	ASTM A276 Gr. 420
Trap body:	ASTM A276 Gr. 420
Standard connector:	Stainless steel—304
IS-2 connector with integral strainer:	ASTM A351 Gr. CF8 20 x 20 mesh 304 SS Screen

Options

- Rain guard insulating cap
- Blowdown valve—IS-2 connector only

For a fully detailed certified drawing, refer to CD #1164.



Model	CD-3300					
	Standard Connector		IS-2 Connector w/Integral Strainer			
	in	mm	in	mm	in	mm
Pipe Connections	1/2, 3/4	15, 20	1/2, 3/4	15, 20	1	25
"C" Face-to-Face	3-1/2	89	3-1/2	89	4	102
"L" Overall Length	4-3/16	106	4-3/16	106	4-3/16	106
"E" Overall Height	3	76	3	76	3-1/2	89
"F" C to Body End	3-3/8	86	3-3/8	86	3-3/8	86
Blowdown Connection	—	—	1/4	6	1/4	6
Weight, lb (kg)	3.6 (1.6)		3.9 (1.8)		4.2 (2)	
Maximum Operating Pressure	450 psi @ 456°F (31 bar @ 236°C)					
Maximum Allowable Pressure (Vessel Design)	720 psi @ 750°F (50 bar @ 400°C)					

All dimensions and weights are approximate. Use certified print for exact dimensions. Design and materials are subject to change without notice.